

HIGH SPIN HYGIENIC BARRIER WASHER EXTRACTORS

**MXB
RANGE**

MXB 360	MXB 500	MXB 700
MXBP 360	MXBP 500	
36KG	50KG	70KG
80LB	110LB	155LB



FEATURES

- Freestanding, high spin
- Large drain valve 2x Ø 76 mm
- Easy access to all parts
- Frequency controlled motor
- Large door opening for easy loading and unloading.
- XControl Plus
 - Freely programmable
 - Multilingual
- PowerWash® perforated lifting ribs: better washing results, lower water consumption
- Eco washing programs - significantly reduces water and electricity consumption
- Soap dispenser with 5 removable compartments
- Cascade drum
- RS485 & USB plug
- Designed with focus on ergonomoy
- Golden lock - patented inner door lock mechanism

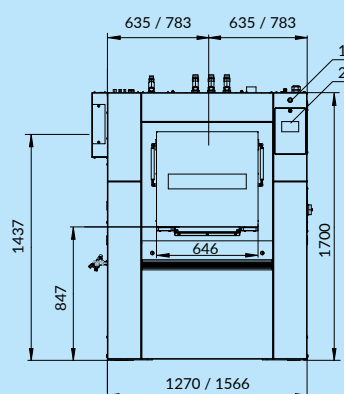
OPTIONS

- Stainless steel cabinet
- Liquid soap pumps
- Opti-load® linen weighing and waterconsumption optimization system
- Trace-Tech® traceability software and networking system
- Isolation for energy and noise reduction
- Version without soap hopper
- Drain valve for water recycling
- Water sample tap
- Second display (located on clean side)
- Lateral drain
- Extra visualization (orange light + horn)
- Extra visualization (traffic light + horn)
- Available with Pullman drum for MXB P 360 and MXB P 500

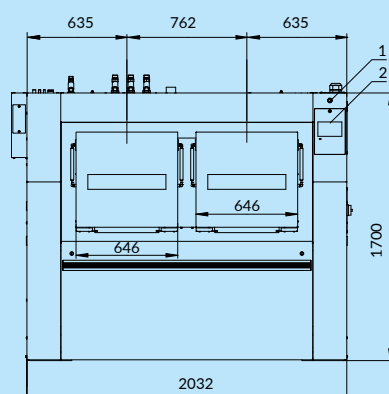


TYPE		MXB360	MXB500	MXB700
CAPACITY				
Drum volume	l	360	500	700
Capacity	kg	36	50	70
Drum diameter			775	
Drum depth	mm	764	1060	1484
Drum type			Cascade	
Number of drums		1	1	2
Number of loading doors		1	1	2
Number of unloading doors		1	1	2
MOTOR				
Power	kW	4		7,5
DRUM SPEED				
Wash speed	rpm		41	
Extraction speed	rpm		900	
G-Factor				
			350	
PROGRAMMER				
XControl Plus			standard	
CABINET				
Door opening angle			155	
HEATING				
100% hot water	°C		90	
100% electrical	kW	36	48	60
Steam high pressure	bar		3-8	
CONNECTION				
Electrical			3x 200-240V 50/60Hz 3x 380-415V 50/60Hz 3x 440-480V 50/60Hz	
Water inlet	in		3x 1"	
Steam inlet	in		3/4"	
Drain diameter	in		2x 3"	
DIMENSIONS				
H×W×D	mm	1700 x 1270 x 980	1700 x 1566 x 980	1700 x 2032 x 980
Net weight	kg	960	1130	1310
TRANSPORT DATA				
Packed H×W×D	mm	2005x1530x1255	2005x1830x1195	2005x2290x1195
Gross weight	kg	1090	1280	1470

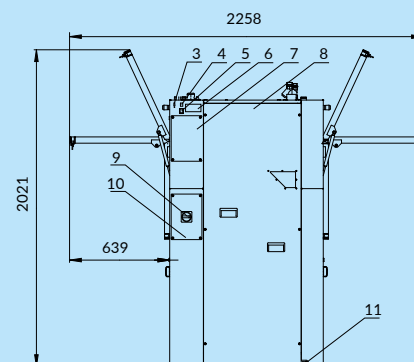
36 / 50 kg



70 kg



36, 50, 70 kg



- 1 Emergency stop
- 2 Control panel
- 3 USB Port
- 4 PC Programming Connection

- 5 Switch: Steam / Electric Heating
- 6 Serial Plate
- 7 Electrical Signals Liquid Soap Cover
- 8 Electrical Components with Frequency Inverter Cover

- 9 Main Switch Cover
- 10 Main Switch
- 11 Equipotential Bounding Terminal

The Primus preserves the right to change the machines and the specification in this leaflet at any time, without prior notice. Details and photographs are only for information and never binding.

www.primuslaundry.com

Primus by Alliance Laundry Systems

